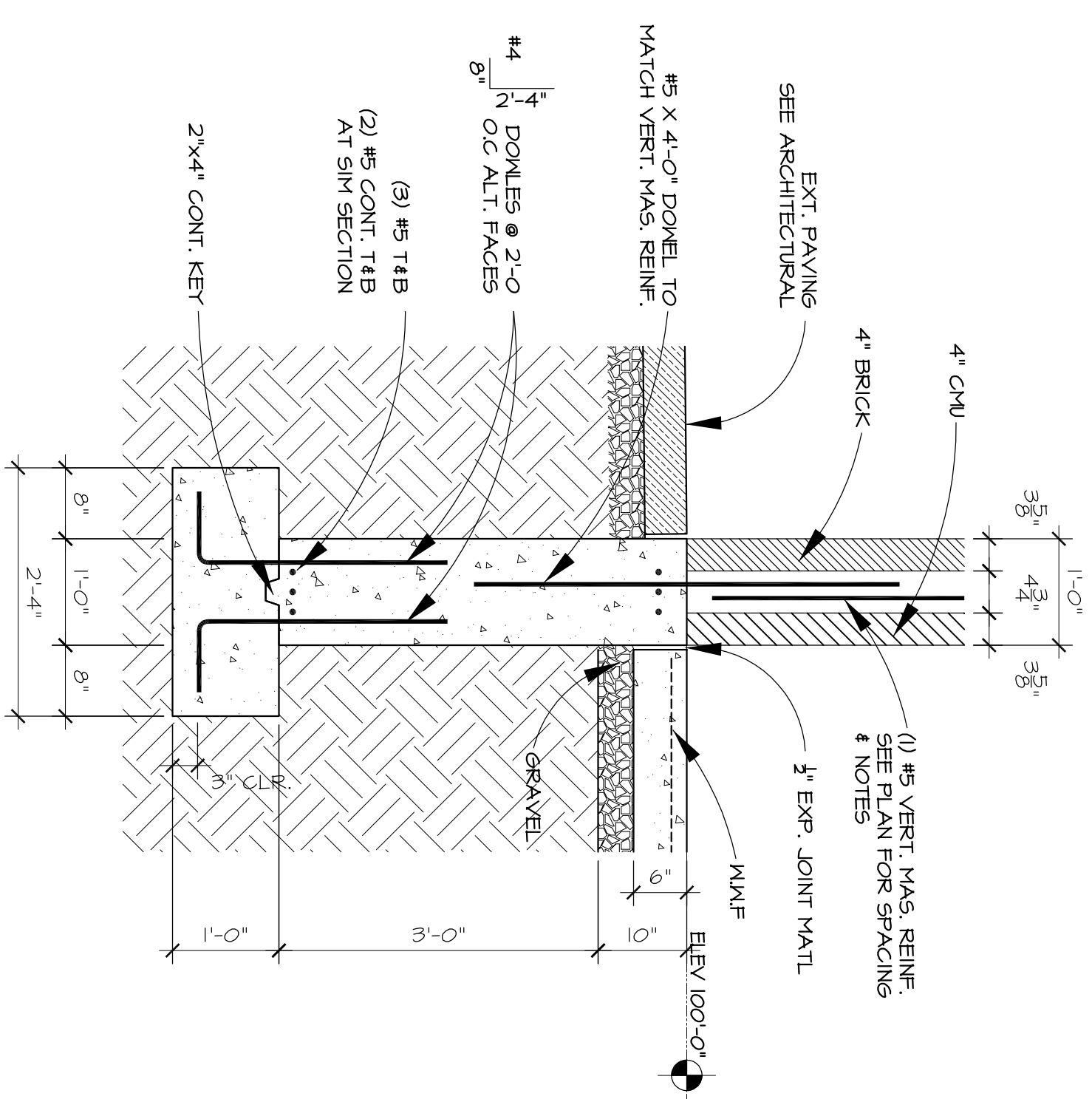
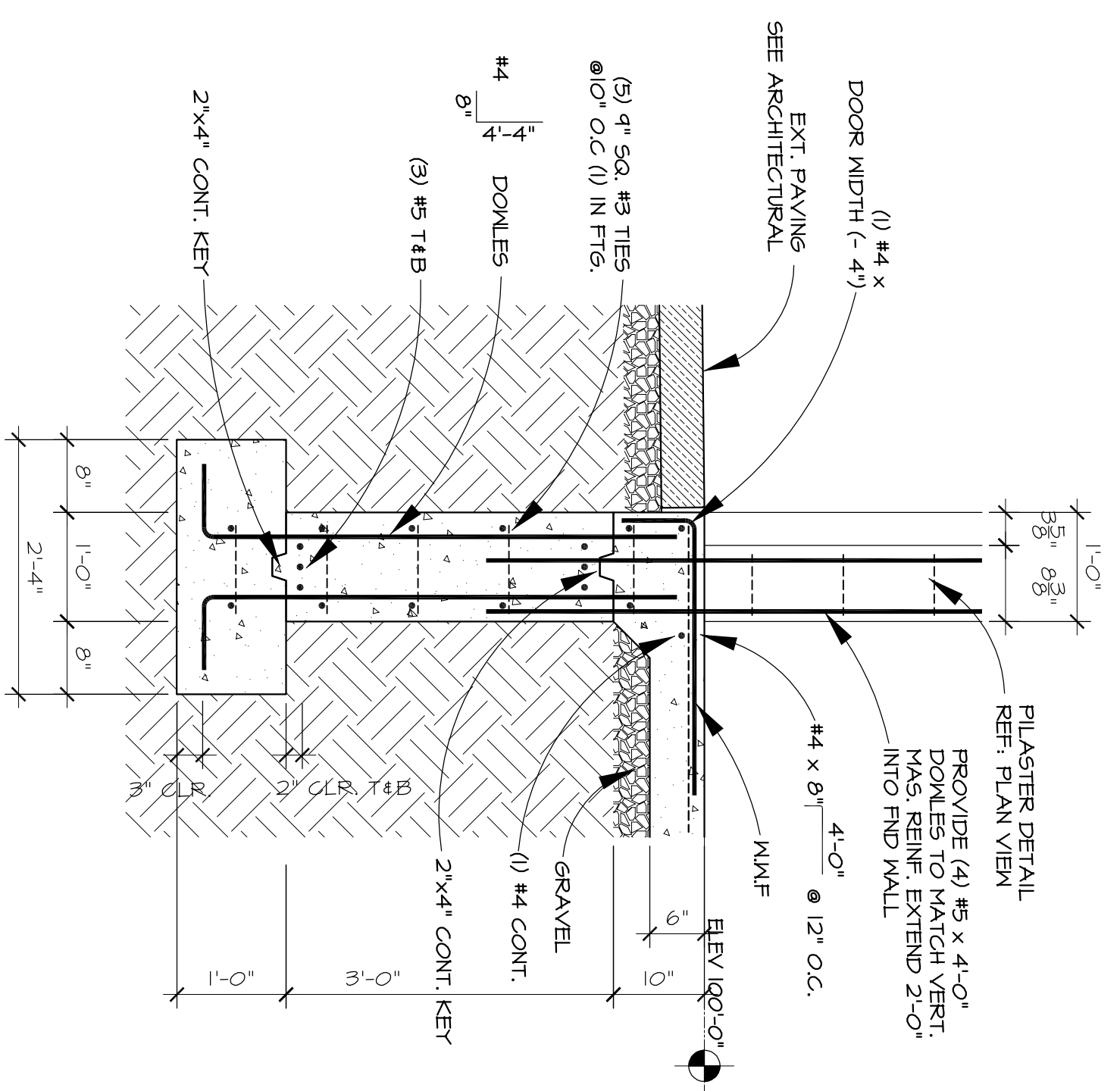


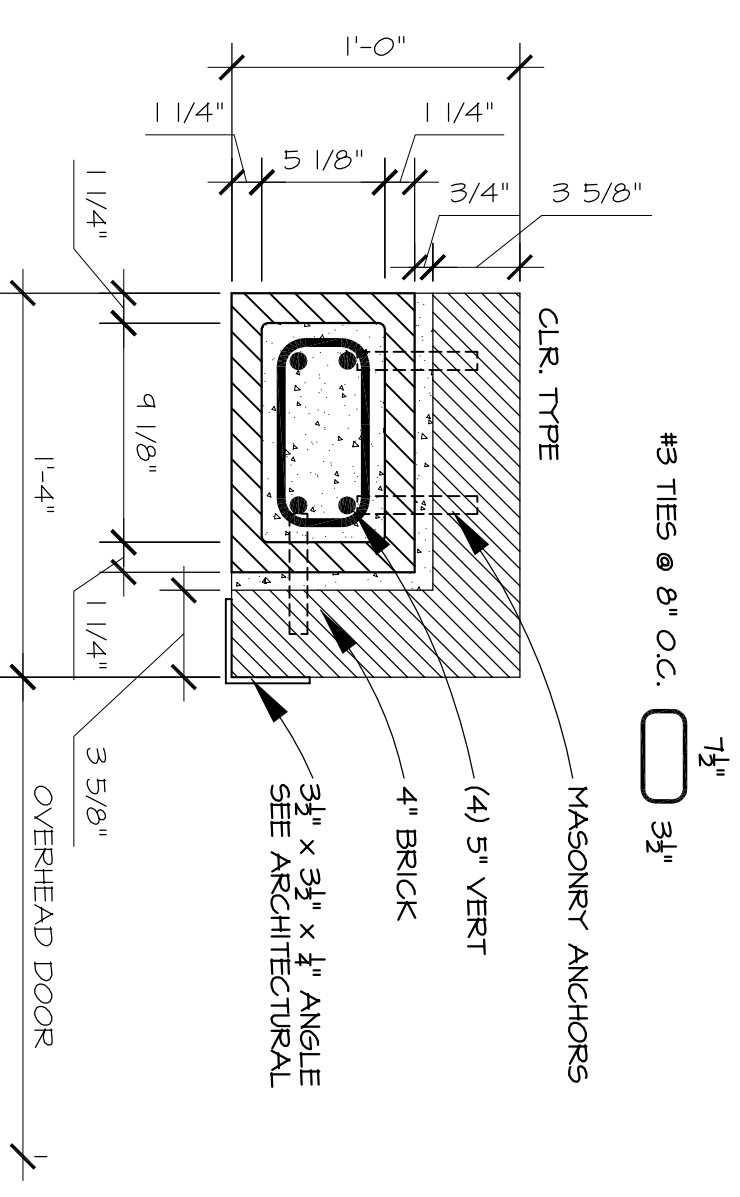
1 INTERIOR COLUMN
SCALE: 3/4" = 1'-0"



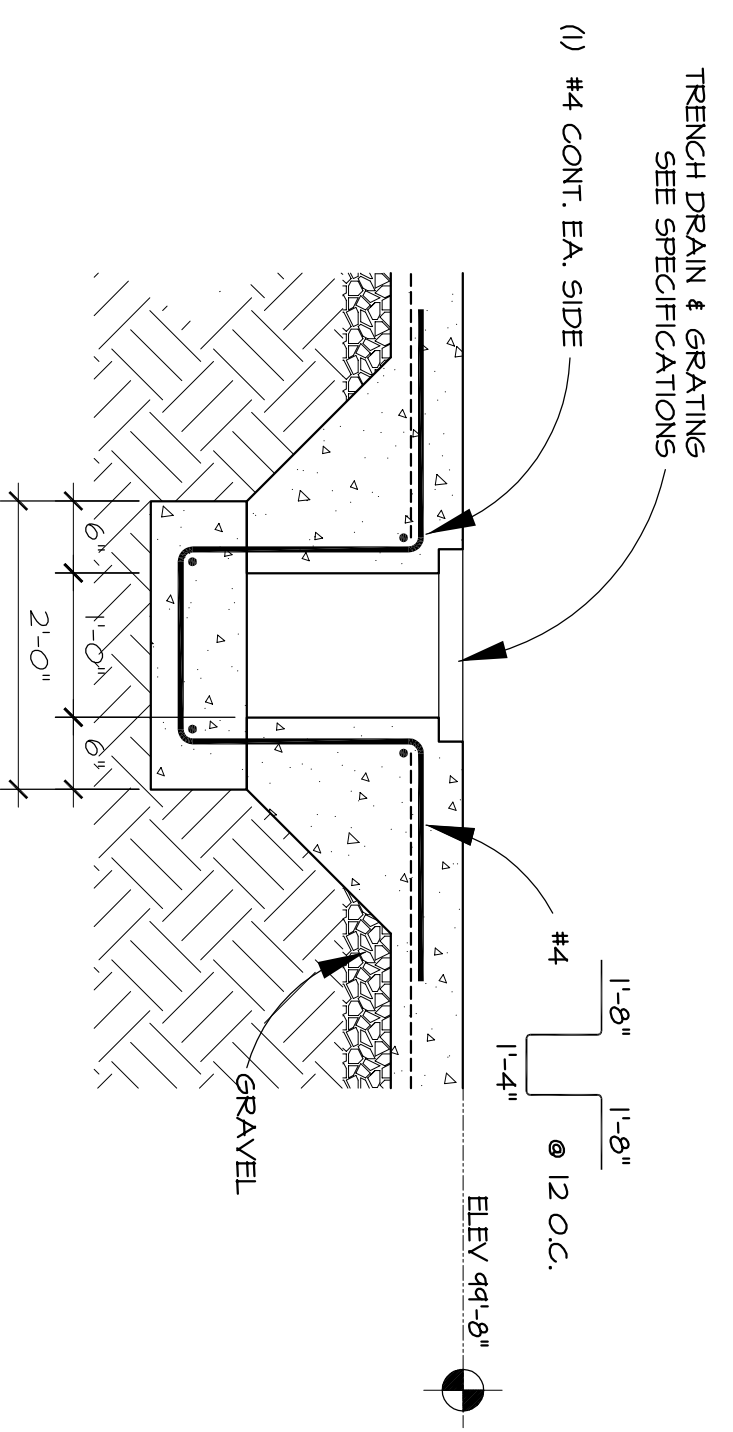
2 EXT FOUNDATION WALL
SCALE: 3/4" = 1'-0"



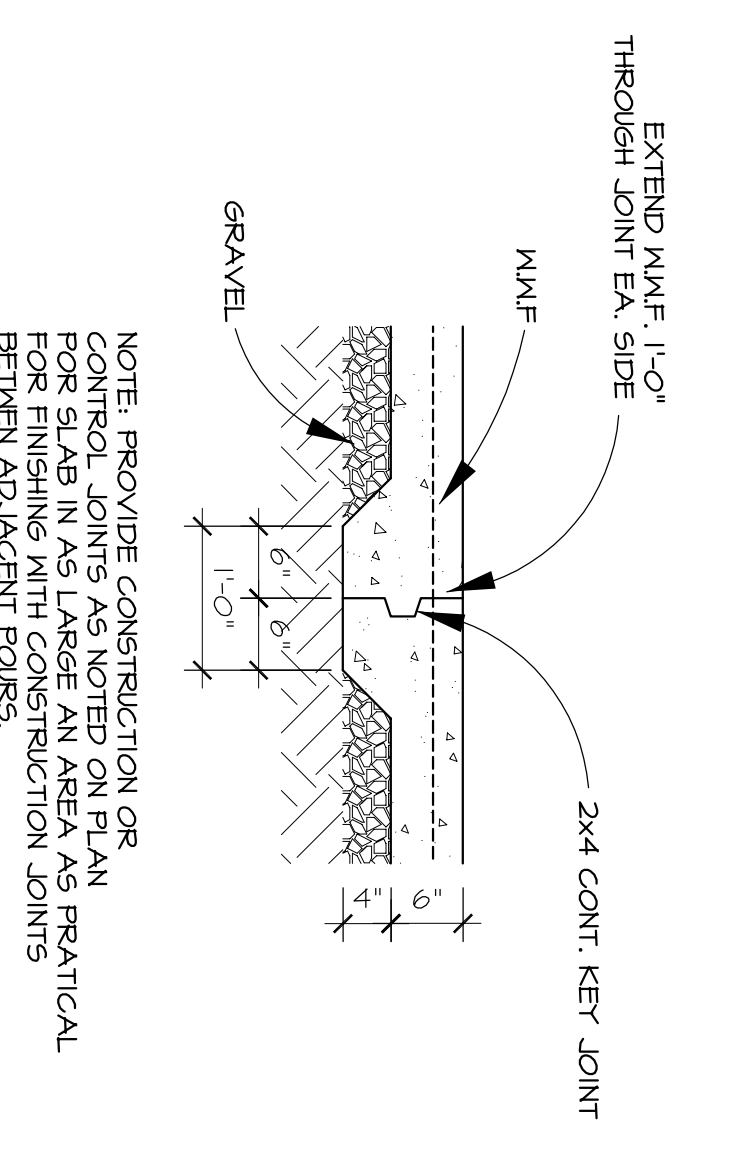
3 EXT DOOR & COLUMN
SCALE: 3/4" = 1'-0"



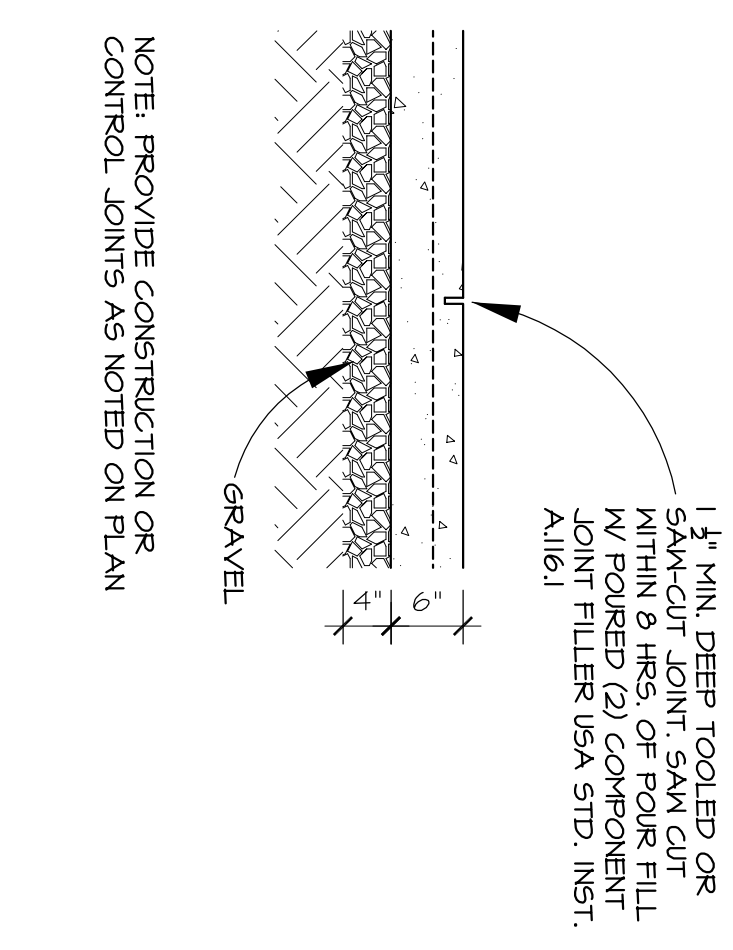
4 PILASTER AT O.H. DOOR
SCALE: 3/4" = 1'-0"



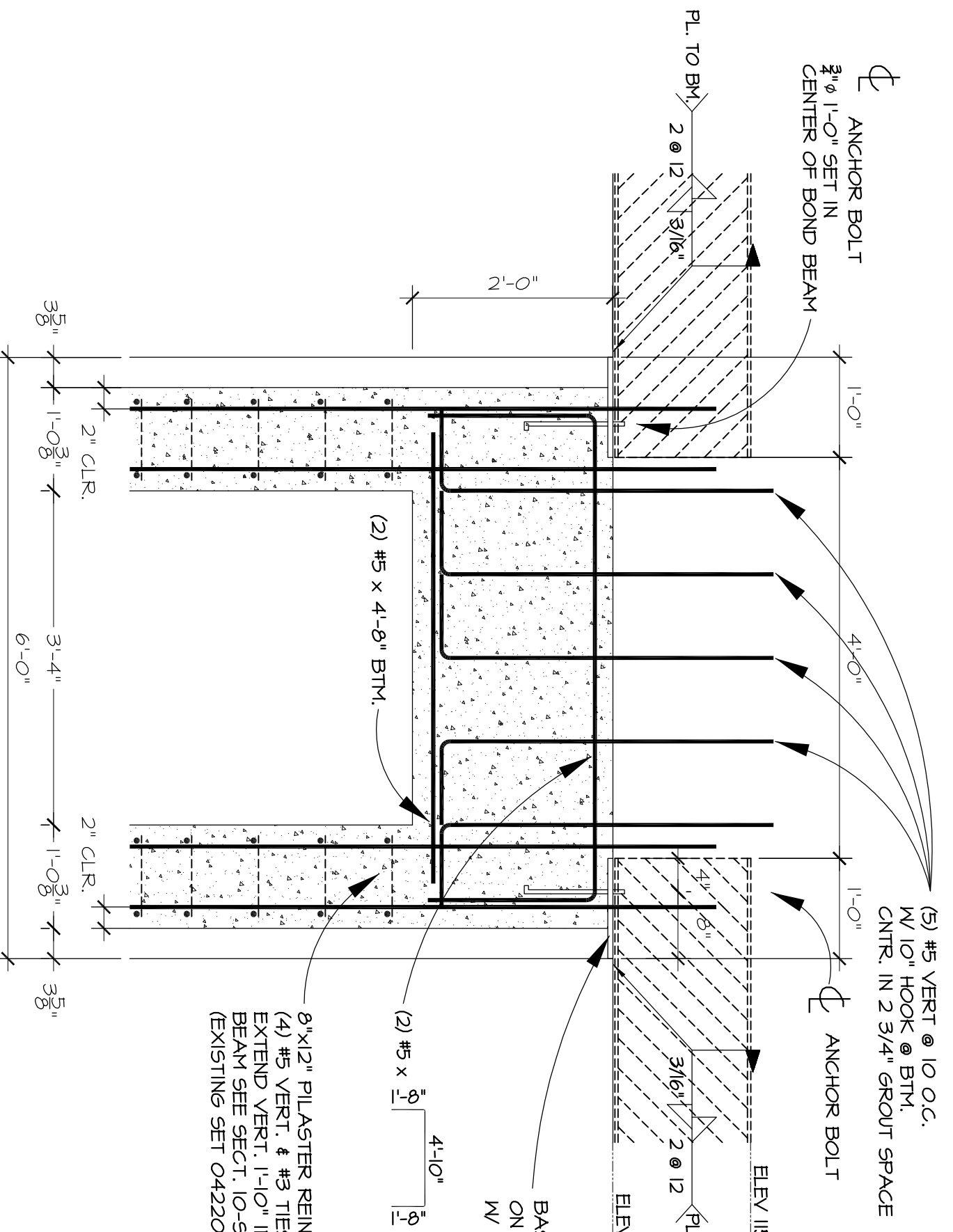
5 TRENCH SECTION
SCALE: 3/4" = 1'-0"



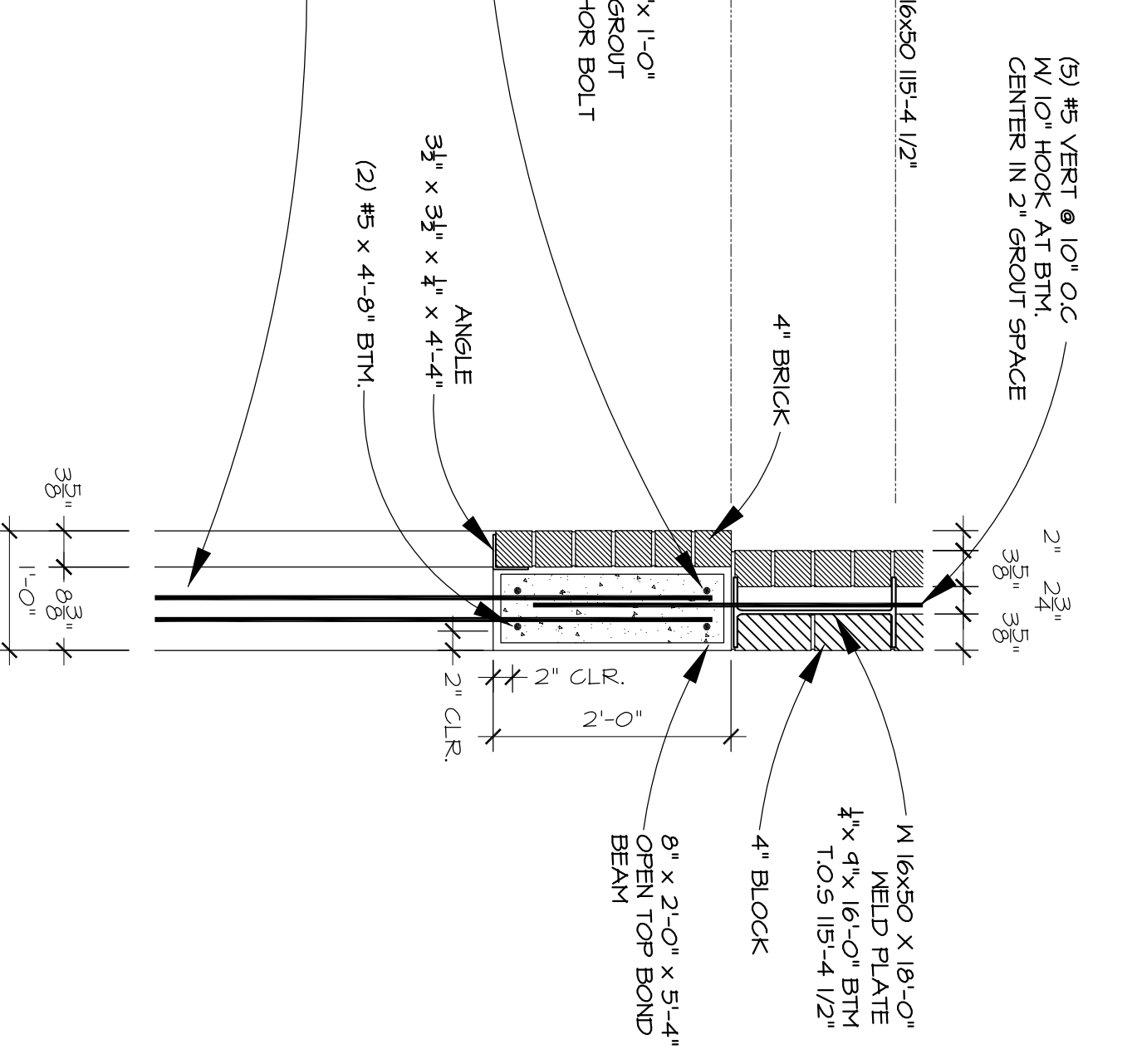
6 CONSTRUCTION JOINT
SCALE: 3/4" = 1'-0"



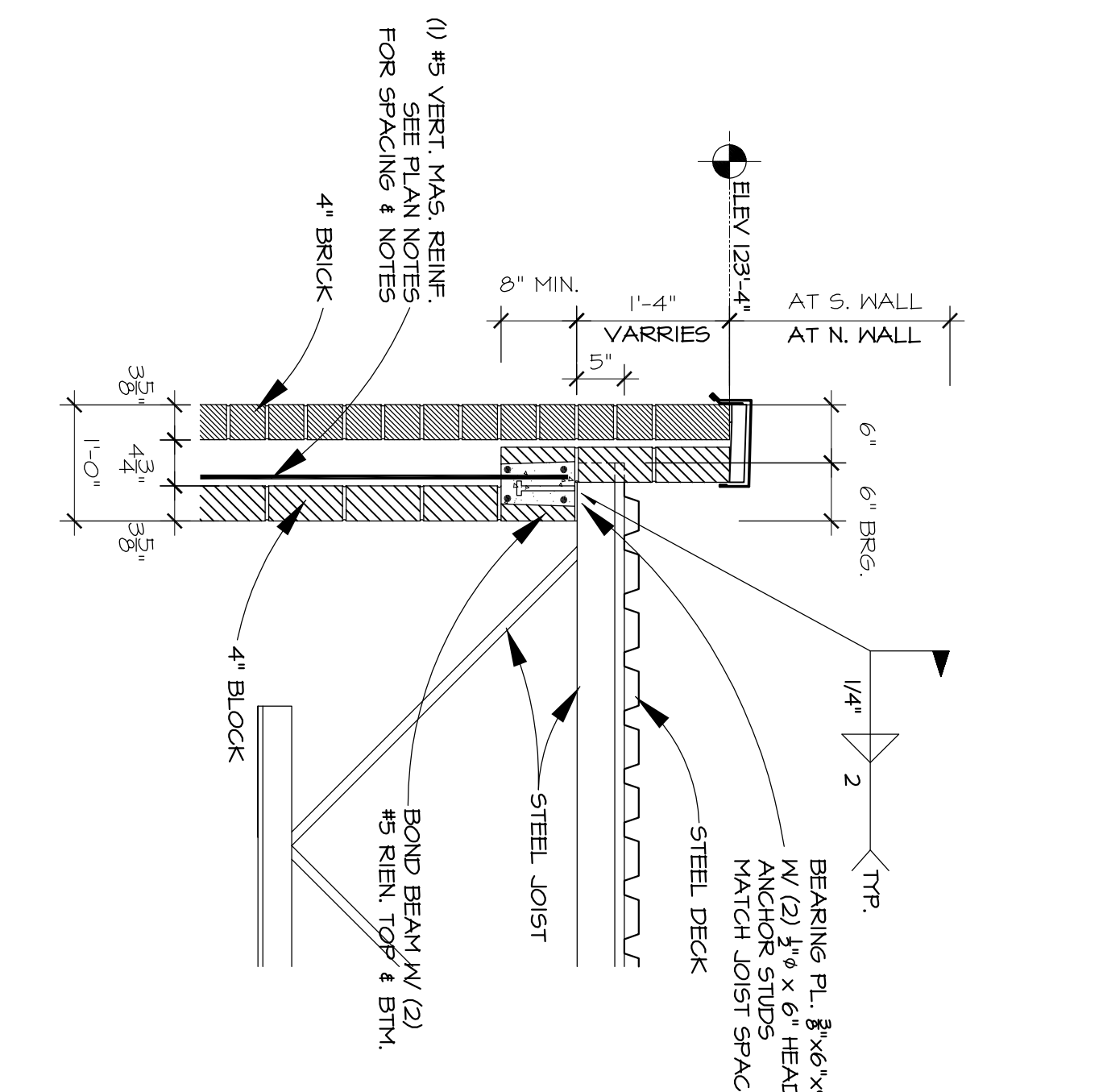
7 CONTROL JOINT
SCALE: 3/4" = 1'-0"



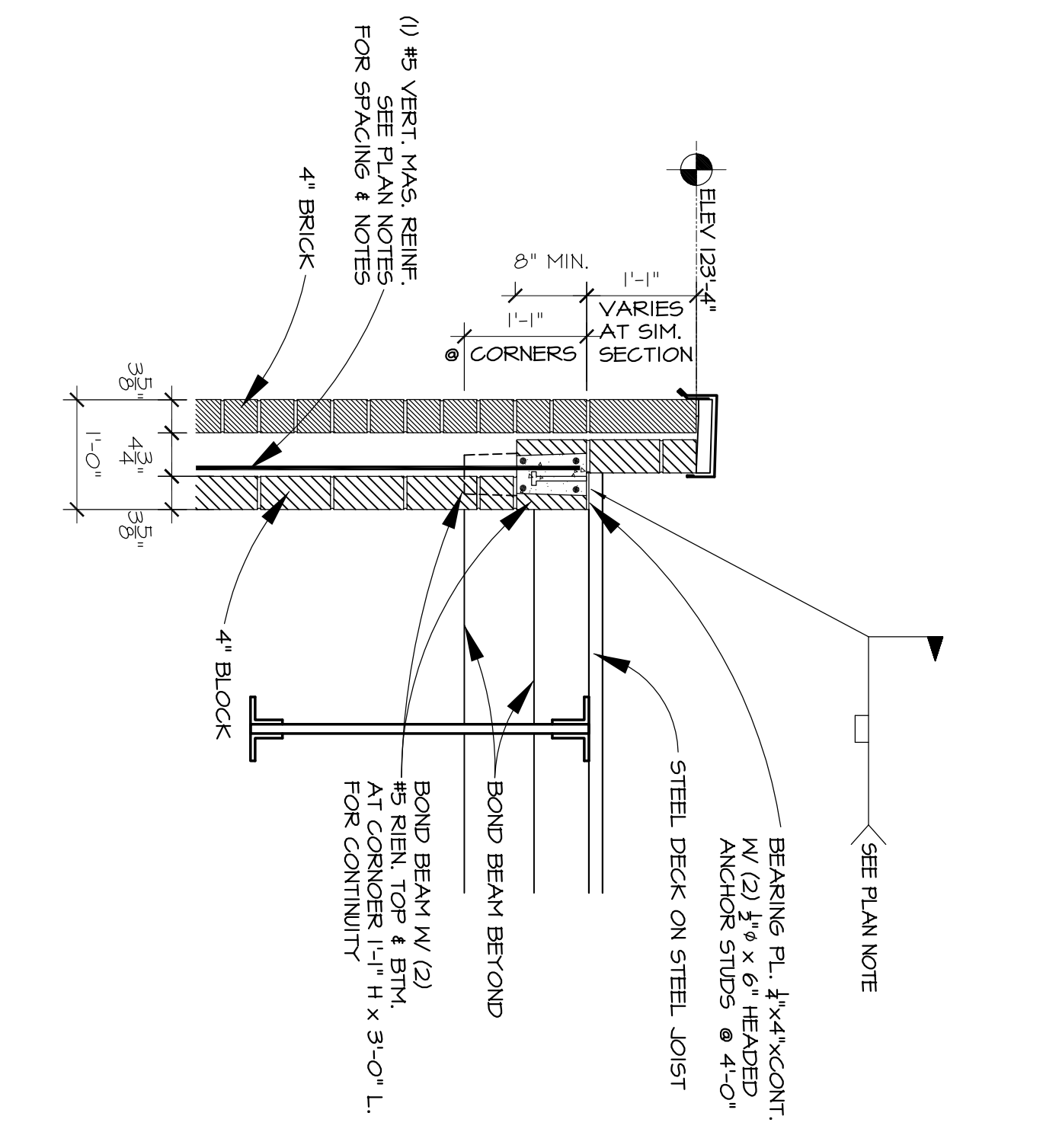
8 O.H. DOOR LINTEL ELEVATION
SCALE: 3/4" = 1'-0"



9 O.H. DR. LINTEL SECTION
SCALE: 3/4" = 1'-0"



10 ROOF JOIST BEARING
SCALE: 3/4" = 1'-0"



11 ROOF DECK BEARING ADJ. WALL
SCALE: 3/4" = 1'-0"